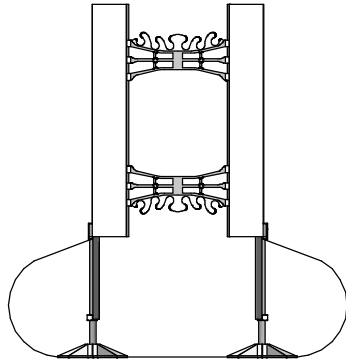


Fastfoot® Monopour allows the foundation wall and footing to be poured at the same time, eliminating the cold joint and providing a stronger foundation.

The MP can also be used without Fastfoot (trenched footings).



## TOOLS & SUPPLIES

Sharp scissors, laser & sensor, 1-1/2 deck screws, 1-1/2" x 3/8" x 8' plywood battens (rain screen battens), low expansion foam glue & gun, sheathing tape, fiber tape, 2 battery drills (one clutched) and normal contractor tools.

## HELIX®

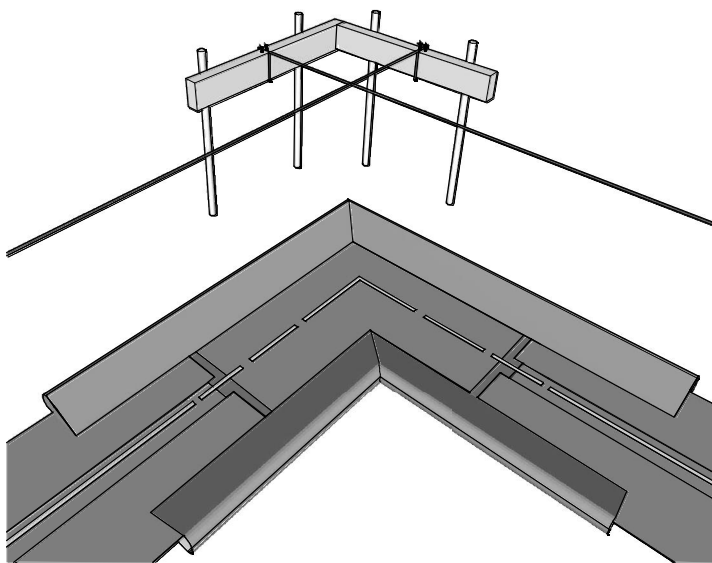
Helix® is recommended for three reasons: first, vertical loading on the MP side supports is minimized; second, wall alignment is improved (no steel to restrict movement); and third, rebar labor is eliminated.

## 1 - BATTER BOARDS & STRINGLINES

As side supports adjust from 7" to 12", excavation must be level.

Setup batter boards and stringlines around perimeter with string located exactly 2" outside ICF and about 4" above top of footing. Loop end of string so it can be quickly taken down when not needed.

Using stringline as guide, spray paint centerline on the ground to position Fastfoot®.



## 2 - FASTFOOT®

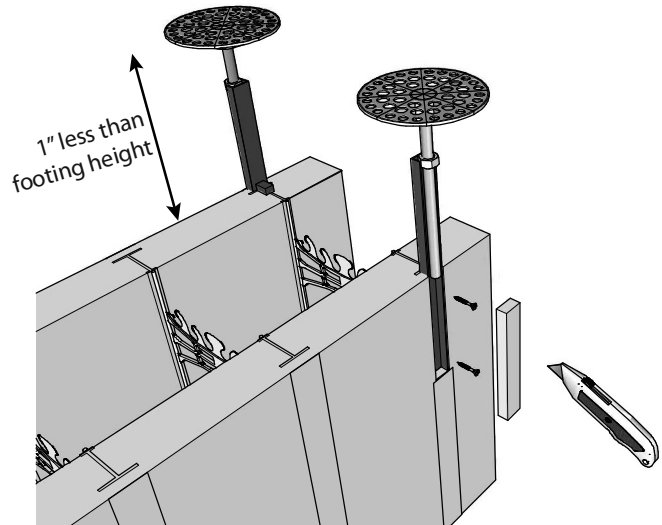
Place monopour 90s at each corner, then run Fastfoot® between with overlap equal to twice web spacing, use sheathing tape on overlap.

## 3 - MP SIDE SUPPORTS

Adjust height of each support pad to about 1" less than footing height (easy to adjust upwards, difficult to adjust downwards).

Install pair of side supports on each block at web closest to end by removing foam (1-1/8" x 6-3/4") directly on top of plastic web. Attach to internal tie with two #8 x 1" screws provided. The protruding metal tab on side support must contact bottom of plastic web.

On corner blocks install pair of supports close to corner (see drawing 4).



## 4 - INSTALL ICF AROUND PERIMETER

Install first ICF corner in position and run two beads of non expansive foam glue to vertical edges on the short end. Attach adjacent block with four vertical joint clips (VJCs). Place fiber tape "X" over joint on both sides to prevent vertical slippage.

