

REF:

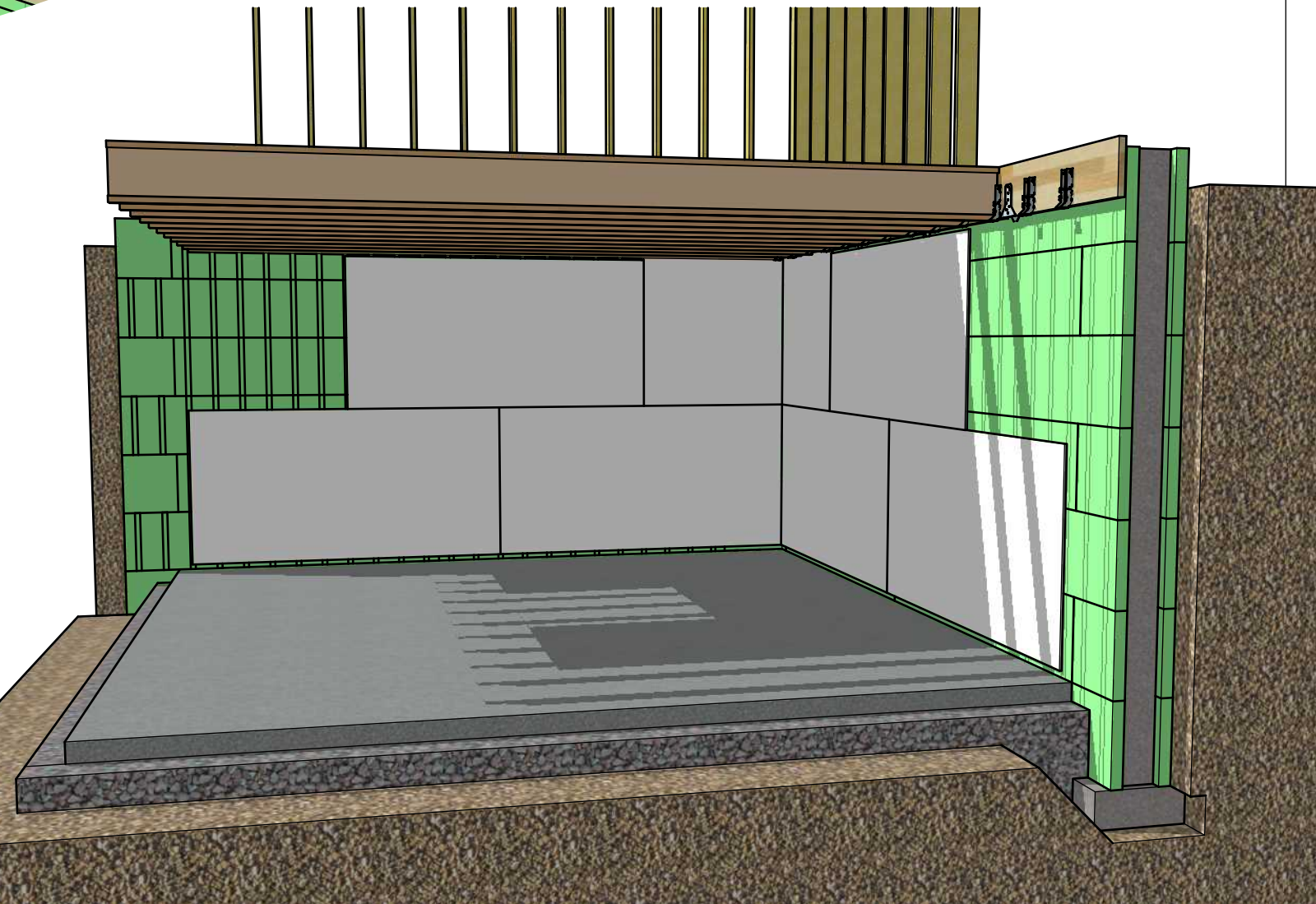
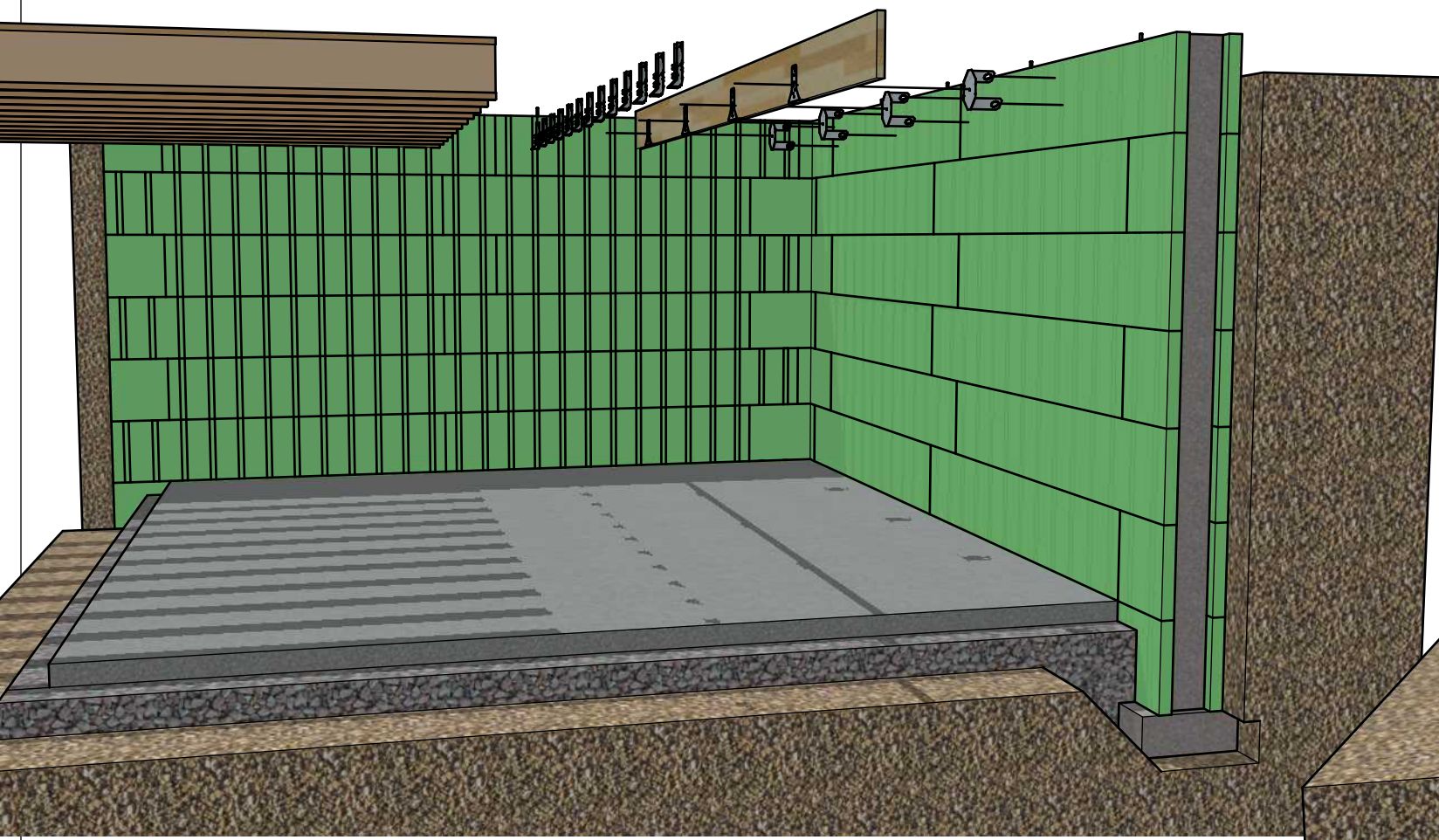
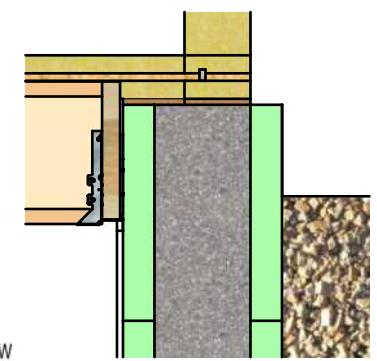
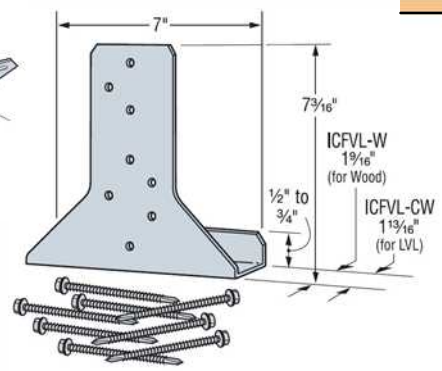
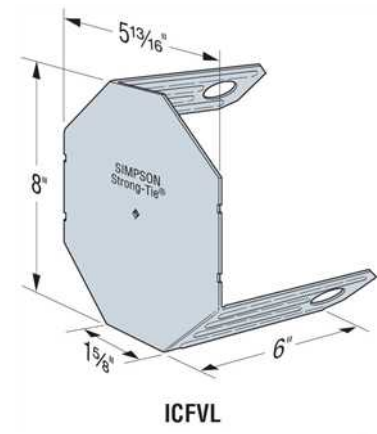
Joist Hangers

Joists

ICFVL-CW

ICFVL

Ledger



PROPRIETARY AND CONFIDENTIAL
 THIS DRAWING IS FOR ESTIMATION PURPOSES ONLY - DO NOT USE FOR ANY OTHER REASON
 THE INFORMATION CONTAINED IN THIS DRAWING IS THE SOLE PROPERTY OF FAB-FORM INDUSTRIES LTD



www.vancouvericf.com (604)229-9829
 DRAWN: SFRG CHECKED: DX APPROVED: JF DATE: 23 Jul 2019
 REF: ICFVL Floor Placement2

ICFVL Floor Placement

REV: